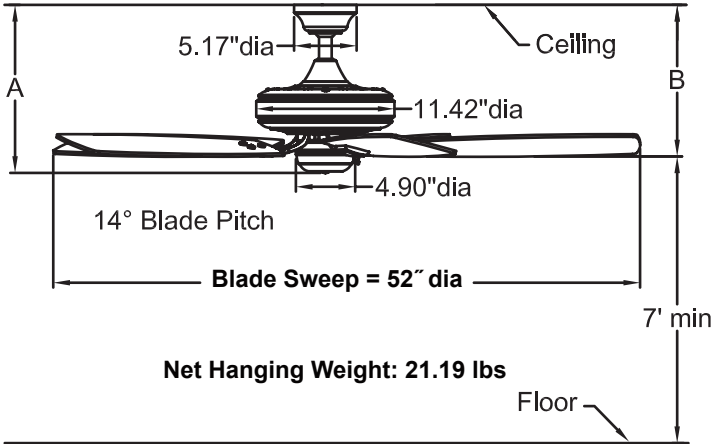




EDGEWOOD® SERIES

TF610
Decorative Fan**



	A	B
Fan w/4.5" downrod	13.88"	12.52"
Fan w/12" downrod	21.38"	20.02"
Fan w/18" downrod	27.38"	26.02"
Fan w/24" downrod	33.38"	32.02"
Fan w/36" downrod	45.38"	44.02"
Fan w/48" downrod	57.38"	56.02"
Fan w/60" downrod	69.38"	68.02"
Fan w/72" downrod	81.38"	80.02"

INSTALLATION REQUIREMENTS:

Fan must be attached to a securely anchored electrical junction box capable of withstanding a load of at least 50 lbs.

ELECTRICAL REQUIREMENTS:

Requires a grounded electrical supply line of 120 volts AC, 60 Hz, 15 amp circuit.

MOTOR SPECS:

188 x 20 motor is designed for optimal performance with this fan. Fan is Energy Star Rated.

BLADES:

A set of five 22" reversible traditional wood blades is included.

CONTROL OPTIONS:

Optional CW1, CW1SW, CW2, CW5 and CWRL4 wall controls, and CRL4WH and CRL8TS remote controls (with receiver units) are available—sold separately. Instructions are provided with each control.

LIGHTING OPTIONS:

Optional lighting fitters and light kits are available. See our catalog or visit www.fanimation.com for available lighting options.

DOWNROD OPTIONS:

Fan comes with 1" dia. x 4.5" long downrod. Optional downrods available in 12", 18", 24", 36", 48", 60", and 72" lengths. A downrod coupler is available for installations requiring a downrod longer than 72". Fan can be mounted on a sloped ceiling up to 19°. Optional close-to-ceiling kit is available as well—sold separately. Optional sloped ceiling kits (SCK1-52) are available for up to 52". Call your local dealer for more information.

LOCATION USE:

Fan is rated for dry locations only.

Available Finishes		
Fan / Housing Assembly		Blades - Traditional
SN	Satin nickel	Walnut / light walnut
TS	Tortoise shell	Walnut / light walnut
WH	White	White / white oak
OB	Oil-rubbed Bronze	Cherry/ Walnut

Airflow / Energy Efficiency Info (120V)					
Fan Speed	Max RPM	CFM	CFM / Watts	Amps	Watts
High	207	7057	89	0.67	79.6
Med	139	4926	125	0.48	39.5
Low	77	2713	197	0.28	13.8