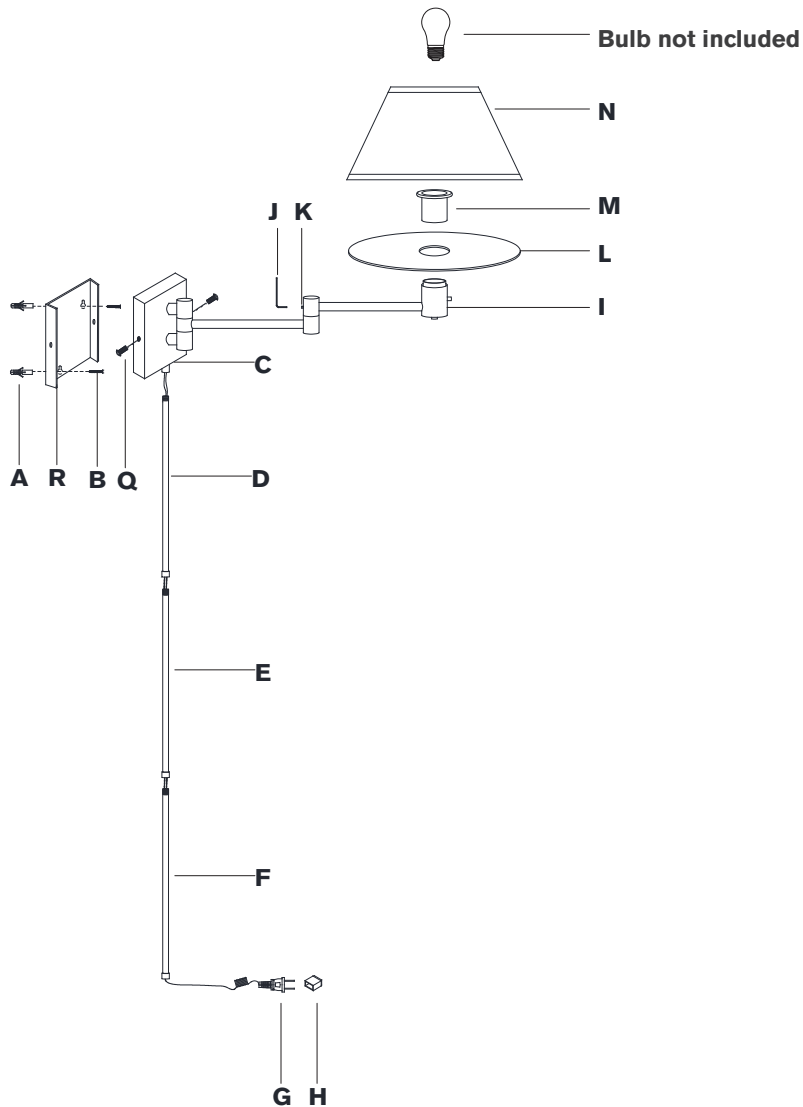


ASSEMBLY INSTRUCTIONS

Portable assembly



Classic Swing Arm Wall Lamp

Item #92000D

NOTICE:

This light fixture should be installed in accordance with all applicable, local installation codes, and by a person familiar with the construction and operation of it, as well as the hazards involved. Inspect item and contents carefully. If any damage or defect is found, do not install. Retain all packaging material until installation is complete and approved.

TOOLS REQUIRED (NOT INCLUDED):

Phillips Screwdriver	Slotted Screwdriver	Drill
Hammer	Pencil	

1. Carefully remove all parts from the box. Place on a clean, soft surface.
2. Remove portable mounting plate (R) from fixture body (C) by removing screws (Q).
3. Using portable mounting plate (R) as a guide, mark anchor positions.
4. Using a drill bit slightly smaller than the anchor, drill holes in the marked positions. Install anchors (A) into the holes using hammer.
5. Install portable mounting plate (R) to wall anchors using wood screws (B), then secure fixture body (C) to portable mounting plate (R) using screws (Q).
7. Thread cord covers (D) & (E) & (F) to fixture body (C).
8. Remove socket ring (M) from socket (I) by pulling straight out, then install diffuser (L) to socket (I) and secure with socket ring (M).
9. Insert light bulb into the socket.
10. Place shade (N) onto diffuser (L).
11. Adjust fixture to desired position.
NOTE: If adjustment elbow is too loose or tight, use provided wrench (J) to loosen or tighten set screw (K), located on back of elbow.
12. Remove protective plug cover (H) from plug (G).
13. Plug into a proper electrical outlet and test the fixture.

Care Instructions: Clean only with a soft dry cloth or feather duster. Do not use abrasive or chemical agents.

ASSEMBLY INSTRUCTIONS

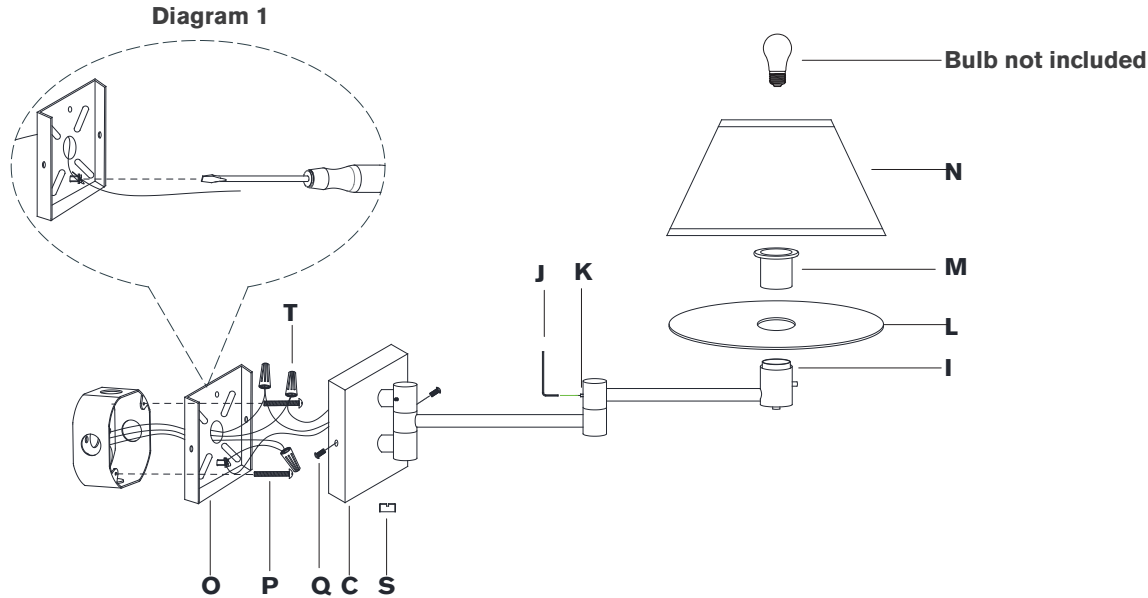
Hardwire assembly

Classic Swing Arm Wall Lamp

Item #92000D

NOTICE:

This light fixture should be installed in accordance with all applicable, local installation codes, and by a person familiar with the construction and operation of it, as well as the hazards involved. Inspect item and contents carefully. If any damage or defect is found, do not install. Retain all packaging material until installation is complete and approved.



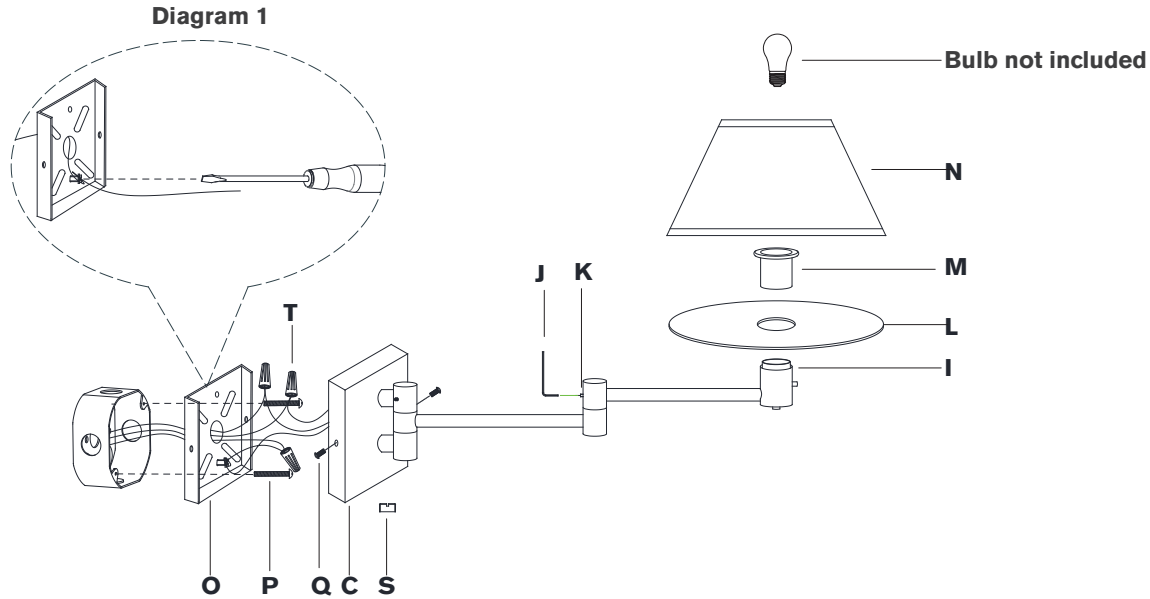
TOOLS REQUIRED (NOT INCLUDED):

Phillips Screwdriver Slotted Screwdriver

1. Carefully remove all parts from the box. Place on a clean, soft surface.
 2. Remove portable mounting plate (**R**) from fixture (**C**) by removing screws (**Q**).
 3. Install hardwire mounting plate (**O**) (located inside packaging) to the junction box and secure with mounting screws (**P**).
 4. Remove cord covers and portable cord by loosening the wire nuts.
 5. Insert direct wire plug (**S**) to the bottom of fixture (**C**).
 6. Wrap fixture ground wire (bare copper) around the green grounding screw (see diagram 1). Tighten. Continue fixture ground wire and connect to supply ground wire (usually green or bare copper) using wire nut (**T**).
- NOTE:** It is imperative that the fixture is grounded.
7. Connect fixture neutral wire (white) to the supply neutral wire (usually white) using wire nut (**T**).
 8. Connect fixture hot wire (black) to the supply hot wire (usually black) using wire nut (**T**).
- CAUTION:** Do not reverse the hot and neutral connections.
9. Make sure all wire connections are tight, then carefully tuck into the junction box.
 10. Install fixture body (**C**) to hardwire mounting plate (**O**) and secure with screws (**Q**).

ASSEMBLY INSTRUCTIONS

Hardwire assembly



Classic Swing Arm Wall Lamp

Item #92000D

NOTICE:

This light fixture should be installed in accordance with all applicable, local installation codes, and by a person familiar with the construction and operation of it, as well as the hazards involved. Inspect item and contents carefully. If any damage or defect is found, do not install. Retain all packaging material until installation is complete and approved.

11. Remove socket ring (**M**) from socket (**I**) by pulling straight out, then install diffuser (**L**) to socket (**I**) and secure with socket ring (**M**).
12. Insert light bulb into the socket.
13. Place shade (**N**) onto diffuser (**L**).
14. Adjust fixture to desired position.

NOTE: If adjustment elbow is too loose or tight, use provided wrench (**J**) to loosen or tighten set screw (**K**), located on back of elbow.

Care Instructions: Clean only with a soft dry cloth or feather duster. Do not use abrasive or chemical agents.