

**ASSEMBLY & INSTALLATION  
INSTRUCTION FOR 155-2, 155-3  
170, 200-3, 200-4 , 100705, 147 , 126, 129 , 114-3,**

**314**

*Please read carefully and save these instructions, as you may need them at a later date.*

**CAUTION**

Turn off the main power at the circuit breaker before installing the fixture, in order to prevent possible shock.

**GENERAL**

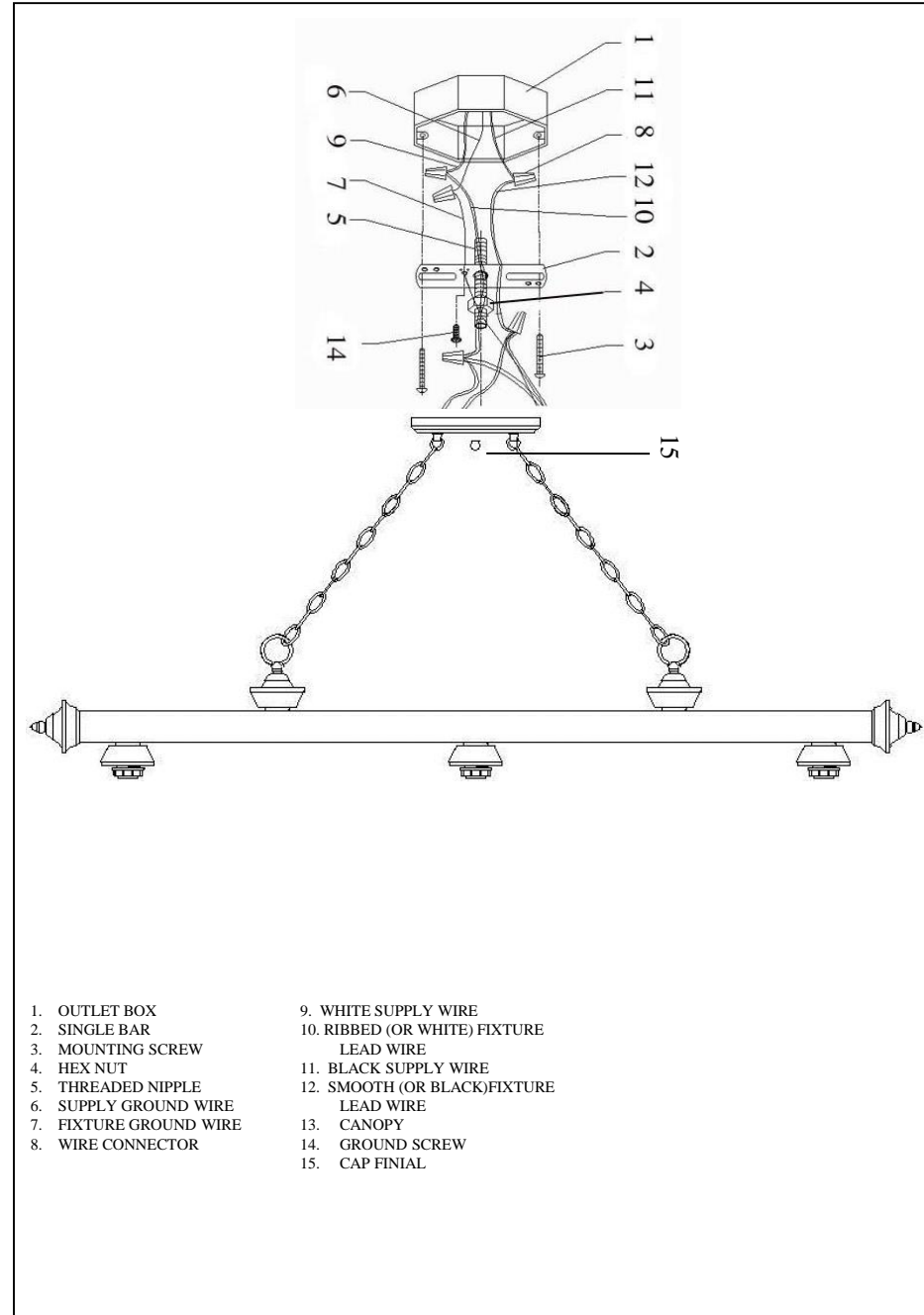
All electrical connections must be in accordance with local and National Electrical Code (N.E.C.) standards. If you are unfamiliar with proper electrical wiring connections obtain the services of a qualified electrician.

Remove the fixture and the mounting package from the box and make sure that no parts are missing by referencing the illustrations on the installation instructions.

**ASSEMBLY AND INSTALLATION**

1. Screw the **THREADED NIPPLE(5)** into the **SINGLE BAR (2)** and put the **HEX NUTS (4)** onto the **THREADED NIPPLE (5)**, as shown. Secure the position of the **THREADED NIPPLE (5)** by tightening the **HEX NUTS (4)** against the **SINGLE BAR (2)**.
2. Carefully pass the power supply (9&11) wires and the **SUPPLY GROUND WIRE (6)** by the **SINGLE BAR (2)**. Secure the **SINGLE BAR (2)** to the **OUTLET BOX (1)** with **MOUNTING SCREWS (3)**.
3. Attach the **BLACK SUPPLY WIRE (11)** to the **SMOOTH (or BLACK) FIXTURE LEAD WIRE (12)** by using the **WIRE CONNECTOR (8)**. At the same manner, attach the **WHITE SUPPLY WIRE (9)** to the **RIBBED (or WHITE) FIXTURE LEAD WIRE (10)**. Loop the **FIXTURE GROUND WIRE (7)** around the **GROUND SCREW (14)** of the **SINGLE BAR (2)**. (Note: Be sure to provide an extra 3" length of the **FIXTURE GROUND WIRE (7)** for connection to the **SUPPLY GROUND WIRE (6)**.) Tighten the **GROUND SCREW (14)**. Connect the remaining **FIXTURE GROUND WIRE (7)** to the **SUPPLY GROUND WIRE (6)** using a **WIRE CONNECTOR (8)**. Place wiring and connections inside the **OUTLET BOX (1)**.
4. Place the **CANOPY (13)** onto the **THREADED NIPPLE (5)**, and secure it into place using the **CAP FINIAL(15)** provided.
5. Slide the **GLASS SHADE** over the **SOCKET**, secure with and **SOCKET RING**.
6. Screw light bulb into the socket and make sure it does not exceed the maximum wattage specified on the fixture's wattage rating label.

**INSTALLATION IS NOW COMPLETED**



- |                        |   |
|------------------------|---|
| 1. OUTLET BOX          | 9. WHITE SUPPLY WIRE                    |
| 2. SINGLE BAR          | 10. RIBBED (OR WHITE) FIXTURE LEAD WIRE |
| 3. MOUNTING SCREW      | 11. BLACK SUPPLY WIRE                   |
| 4. HEX NUT             | 12. SMOOTH (OR BLACK) FIXTURE LEAD WIRE |
| 5. THREADED NIPPLE     | 13. CANOPY                              |
| 6. SUPPLY GROUND WIRE  | 14. GROUND SCREW                        |
| 7. FIXTURE GROUND WIRE | 15. CAP FINIAL                          |
| 8. WIRE CONNECTOR      |   |