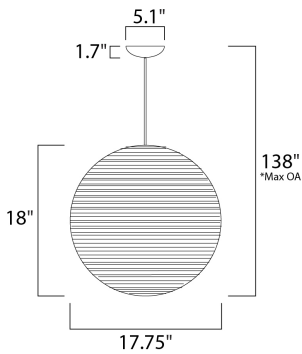




PRODUCT DESCRIPTION

The Java collection meets the demand for handmade, unique objects, fueled by "The Made Movement" in home fashion that merges artisanal techniques with the raw beauty of recycled and repurposed materials. Each shade is handcrafted of recycled corrugated paper in a Java finish, with alternating opaque and translucent layers, through which beautiful light patterns are casted.



*max overall height

MEASUREMENTS

- DIMENSION : 17.75" L x 17.75" W x 18." H
- MAX OAH : 138." OAH x 20." OAH
- CANOPY : 5.1" W x 1.7" H x 5.1" L
- HANGING WEIGHT : 2.19 lb

LAMPING

- INPUT VOLTAGE : 120V
- LUMENS : 0 Rated (0 Del.)
- BULB : 1 x 60W (NOT INCLUDED), 60W Total
- DIMMABLE : Dimmable

FINISHES OPTION

Black BK



MATERIAL

Recycled Cardboard

RATINGS

cETLusDry Location
Dimmable



ADDITIONAL

INSTALL UP/DOWN:
SLOPE: 120
OPERATING TEMPERATURE:
-20°C (-4°F), 40°C (104°F)

Always consult a qualified electrician before installing any lighting product.



WESTERN DISTRIBUTION CENTER (HEADQUARTER)
253 NORTH VINELAND AVE | CITY OF INDUSTRY, CA 91746
EASTERN DISTRIBUTION CENTER
4200 SHIRLEY DR. | ATLANTA, GA 30336
P. 626.956.4200 | F. 626.956.4225 | maximlighting.com