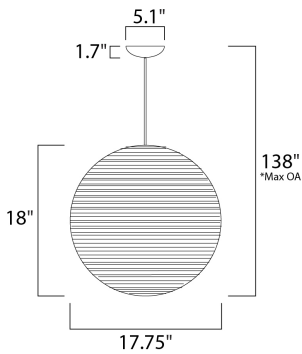




**PRODUCT DESCRIPTION**

The Java collection meets the demand for handmade, unique objects, fueled by "The Made Movement" in home fashion that merges artisanal techniques with the raw beauty of recycled and repurposed materials. Each shade is handcrafted of recycled corrugated paper in a Java finish, with alternating opaque and translucent layers, through which beautiful light patterns are casted.



\*max overall height

**MEASUREMENTS**

DIMENSION : 17.75" L x 17.75" W x 18." H  
 MAX OAH : 138." OAH x 20." OAH  
 CANOPY : 5.1" W x 1.7" H x 5.1" L  
 HANGING WEIGHT : 2.19 lb

**LAMPING**

INPUT VOLTAGE : 120V  
 LUMENS : 0 Rated (0 Del.)  
 BULB : 1 x 60W (NOT INCLUDED), 60W Total  
 DIMMABLE : Dimmable

**FINISHES OPTION**

Black BK



**MATERIAL**

Recycled Cardboard

**RATINGS**

Dry Location  
 Dimmable



**ADDITIONAL**

INSTALL UP/DOWN:  
 SLOPE: 120  
 OPERATING TEMPERATURE:  
 -20°C (-4°F), 40°C (104°F)

Always consult a qualified electrician before installing any lighting product.



**WESTERN DISTRIBUTION CENTER (HEADQUARTER)**  
 253 NORTH VINELAND AVE | CITY OF INDUSTRY, CA 91746  
**EASTERN DISTRIBUTION CENTER**  
 4200 SHIRLEY DR. | ATLANTA, GA 30336  
 P. 626.956.4200 | F. 626.956.4225 | maximlighting.com