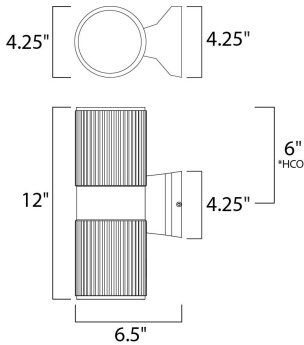




PRODUCT DESCRIPTION

Indirect exterior lighting not only provides illumination where you want but it also highlights the building structure for a beautiful architectural effect. Our collection of up and down lighting fixtures are available in both Architectural Bronze and Brushed Aluminum.



*height from center of outlet to the top of the fixture

MEASUREMENTS

DIMENSION : 4.25" W x 12." H x 6.5" Ext
 BACK PLATE : 4.25" W x 4.25" H x 6." HCO
 HANGING WEIGHT : 4.19 lb

LAMPING

INPUT VOLTAGE : 120V
 LUMENS : 1,400 Rated (1,030 Del.)
 BULB : 2 x 10W (INTEGRATED), 20W Total
 DIMMABLE : Dimmable
 CRI : 80 CRI
 COLOR_TEMP : 3000K
 LIGHTING_DIRECTION : Up/Dn

FINISHES OPTION

Brushed Aluminum AL



RATINGS

Wet Location
 Dimmable



ADDITIONAL

INSTALL UP/DOWN: All
 OPERATING TEMPERATURE:
 -20°C (-4°F), 40°C (104°F)
 PHOTOMETRIC: Report Found Online

Always consult a qualified electrician before installing any lighting product.



WESTERN DISTRIBUTION CENTER (HEADQUARTER)
 253 NORTH VINELAND AVE | CITY OF INDUSTRY, CA 91746

EASTERN DISTRIBUTION CENTER
 4200 SHIRLEY DR. | ATLANTA, GA 30336

P. 626.956.4200 | F. 626.956.4225 | maximlighting.com