

# FLUORESCENT FLUSH MOUNT FIXTURE ASSEMBLY & INSTALLATION INSTRUCTIONS

*Please read carefully and save this instruction sheet, as you may need them at a later date.*

## **CAUTION**

Turn off the main power at the circuit breaker before installing the fixture, in order to prevent possible shock.

## **GENERAL**

All electrical connections must be in accordance with local and national electrical code (N.E.C) standards. If you are unfamiliar with proper electrical wiring connections obtain the services of a qualified electrician.

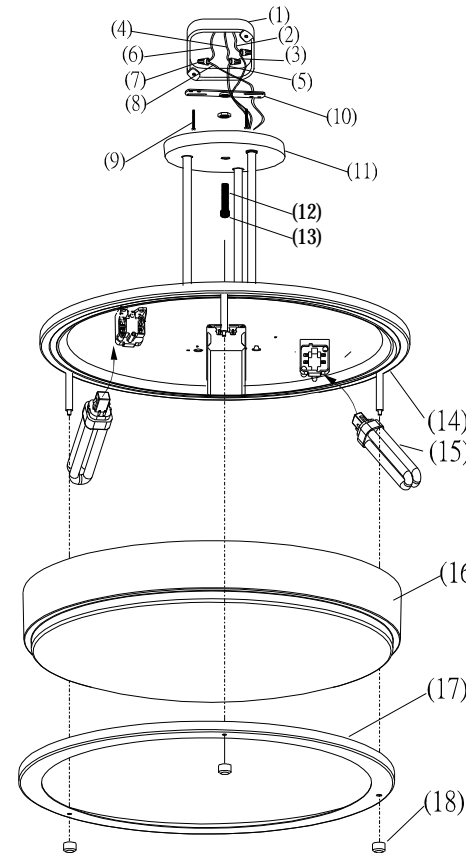
Remove the fixture and the mounting package from the box and make sure that no parts are missing by referencing the illustrations on the installation instruction.

## **ASSEMBLY AND INSTALLATION**

Turn off the power.

1. Pull the supply wires and the house ground wire(2) out from the outlet box(1) and attach the mounting bracket(10) to the outlet box(1) using the slotted holes in the mounting bracket (10)and the fixture screws(9) provided.
2. Secure the nipple(12) into the center threaded holes in the mounting bracket(10).
3. Make the wiring connections(7): using the ground screw, fasten the house ground wire(2) and the fixture ground wire if provided, to the mounting bracket(10), as shown. Connect the white supply wire(4) to the white(or ribbed) fixture wire(5); connect the black supply wire(6) to the black(or smooth) fixture wire using wire connectors(7).
4. Carefully take all wire back into the outlet box(1). Locate the canopy(11) over the outlet box(1), thread the nipple(12) through the center hole on the canopy(11).
5. Secure the nipple(12) with the knob(13) and tighten securely.
6. Now you are ready to install quad lamp(15).Do not exceed the recommend wattage.
7. Place the acrylic lens(16) over the fixture pan. Place the metal ring(17) over the acrylic lens(16) lining up the holes with the fixture pan(14) posts and securing it with the three decorative nuts(18).

INSTALLION IS NOW COMPLETED.



- 1.OUTLET BOX
- 2.HOUSE GROUND WIRE
- 3.FIXTURE GROUND WIRE
- 4.WHITE SUPPLY WIRE
- 5.WHITE FIXTURE WIRE
- 6.BLACK SUPPLY WIRE
- 7.WIRE CONNECTOR
- 8.BLACK FIXTURE WIRE
9. SCREW
- 10.MOUNTING BRACKET
- 11.FIXTURE PAN
- 12.NIPPLE
- 13.KNOB
- 14.FIXTURE PAN
- 15.QUAD LAMP
- 16.ACRYLIC LENS
- 17.METAL RING
- 18.DECORATIVE NUT