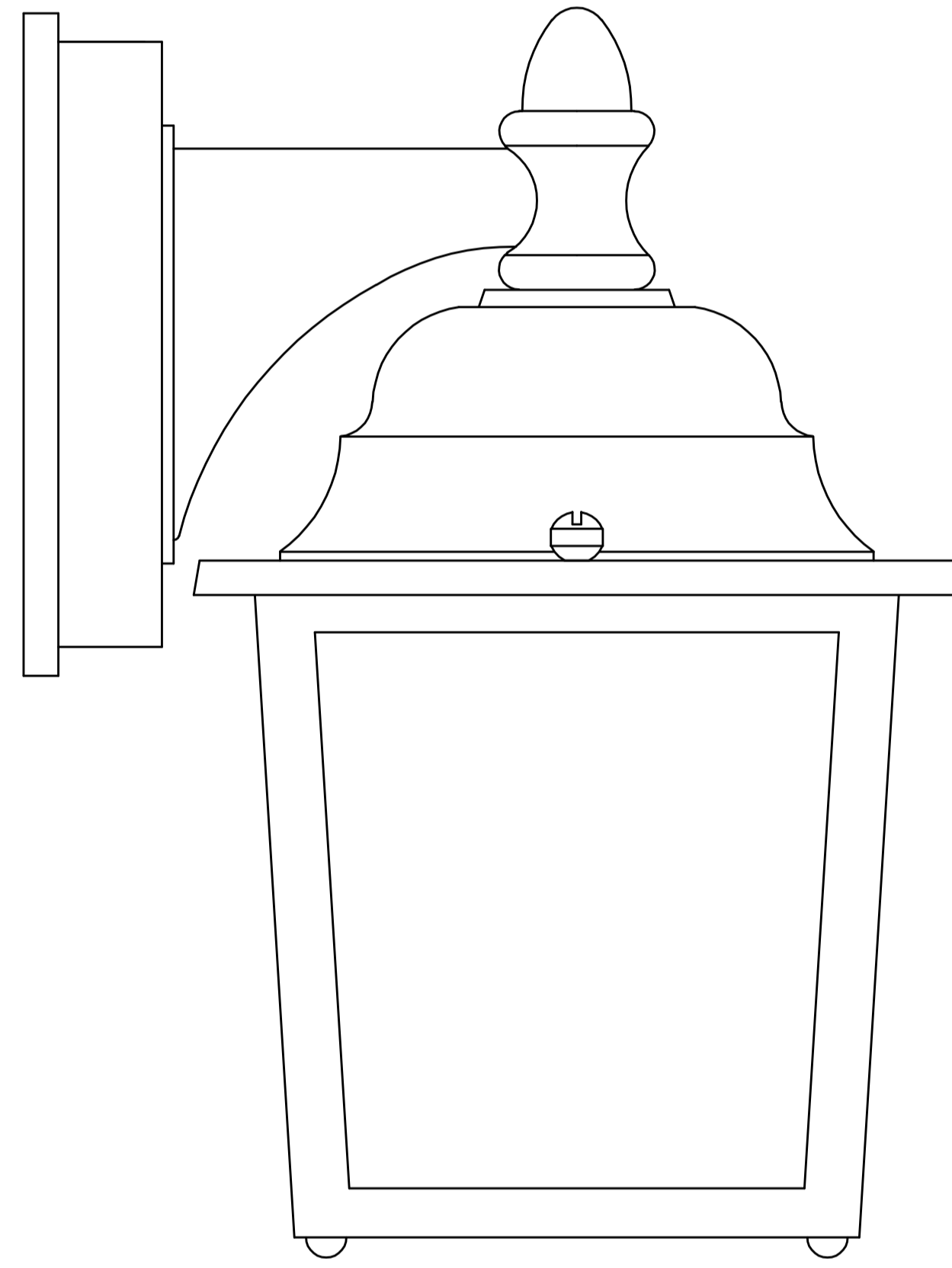




PRODUCT NAME: Side Door
ITEM NUMBER: 56924

Please consult your electrician for hanging fixture and wiring.



To prevent water intrusion, caulk around back-plate where fixture meets the wall using outdoor silicone sealant. Leave a small gap at the bottom to allow moisture to exit.

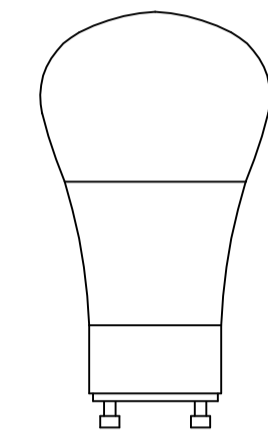
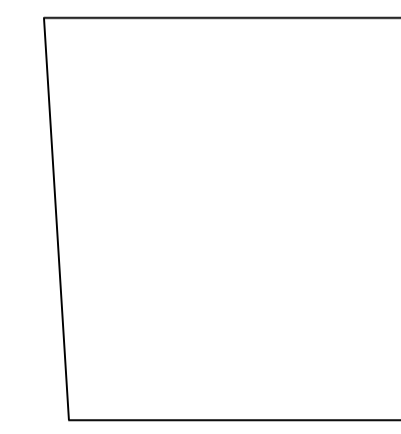
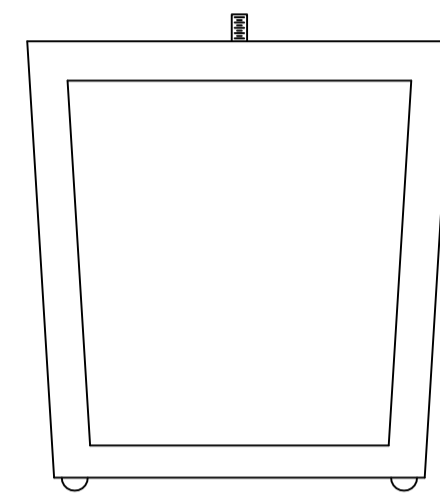
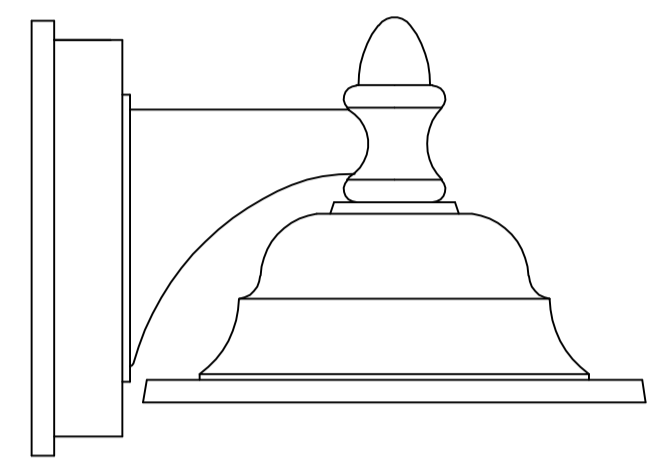
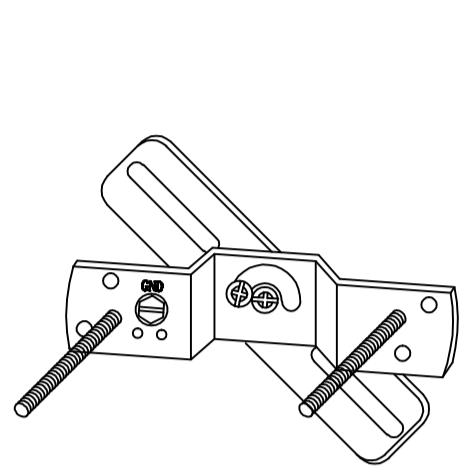
Bulb(included): 1×9W GU24 LED

MADE IN CHINA



PRODUCT NAME: Side Door
 ITEM NUMBER: 56924

IMPORTANT: Turn off the power at the main fuse or circuit breaker box before starting installation.



Bracket (A)

Fixture (B)

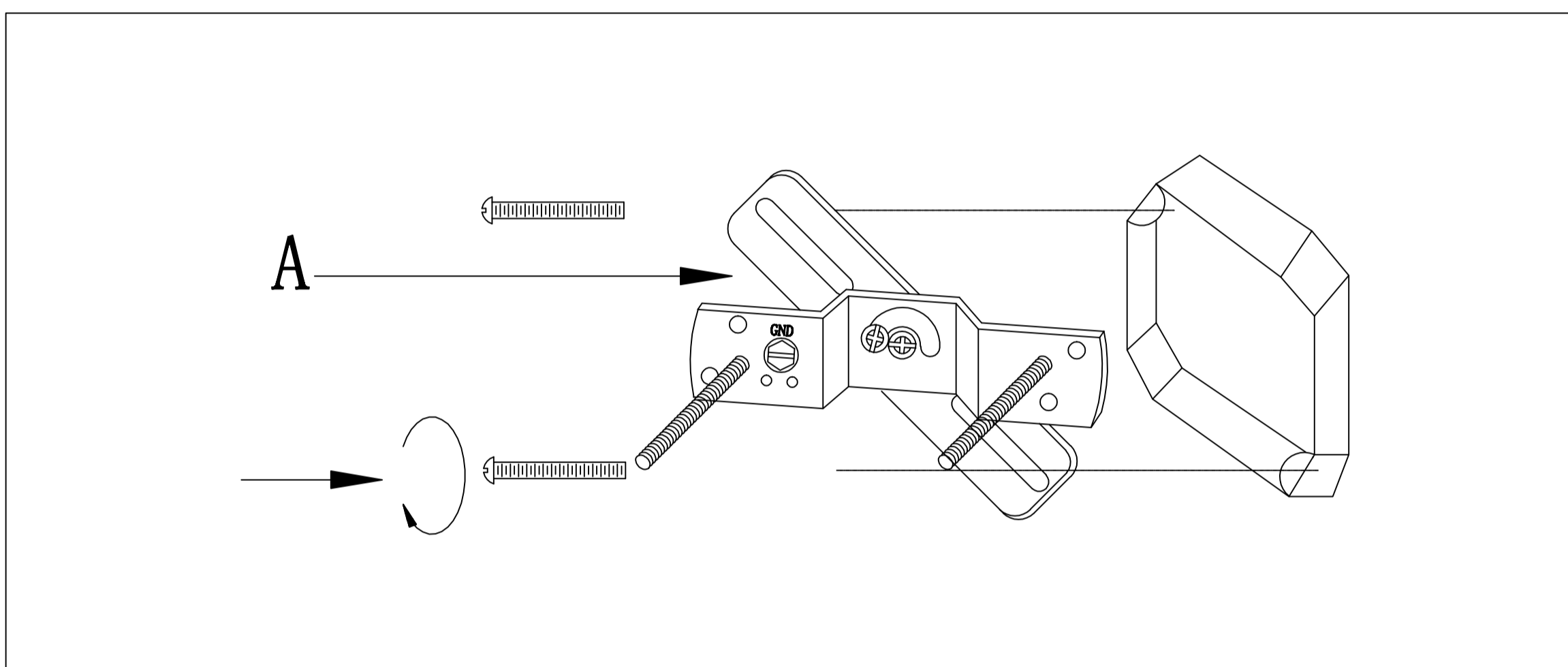
Cage (C)

Sheet glass (D)

GU24 LED Bulb (E)

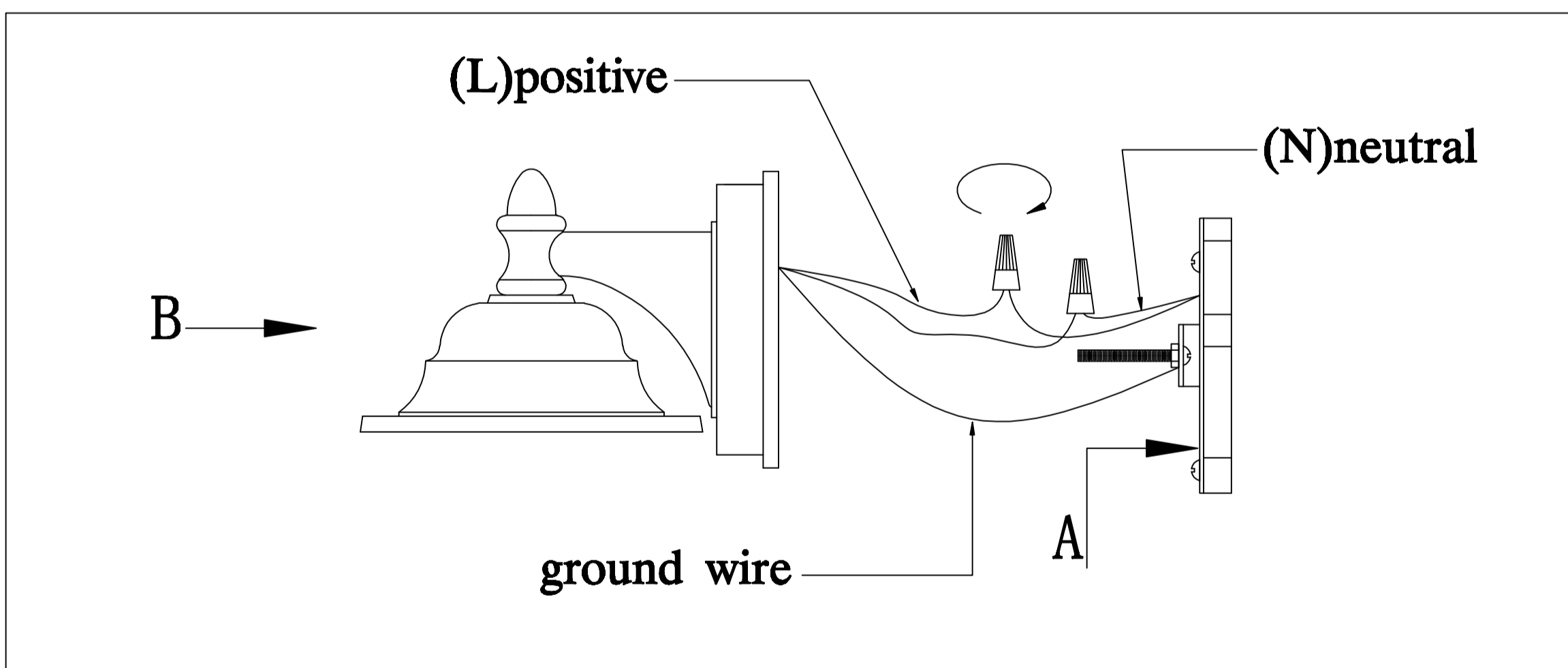
Locate all hardware & components before discarding packaging

1.)



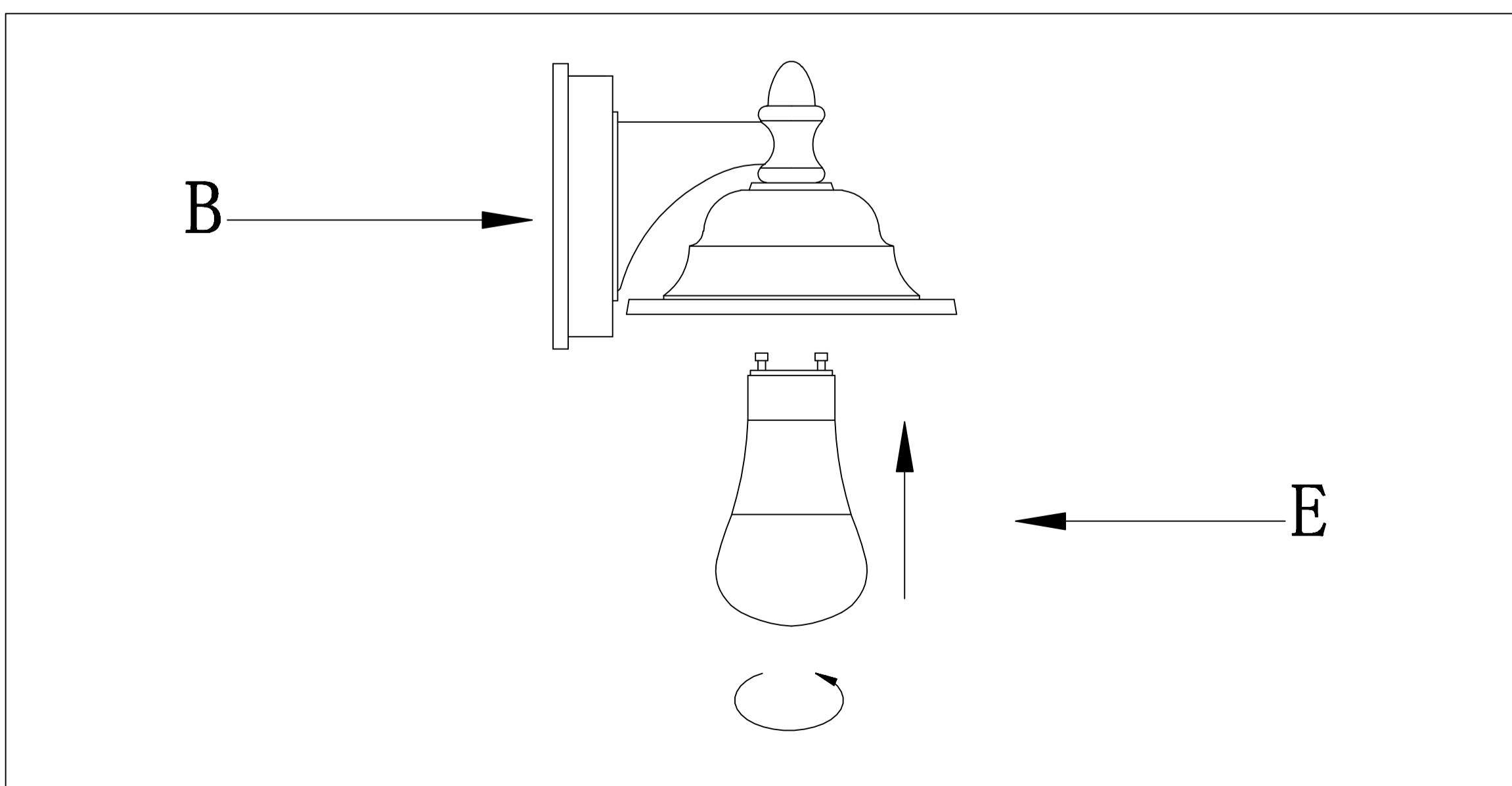
Step.1: Remove mounting bracket from fixture(B) and install to electrical box. then wire fixture to wires in outlet box. Copper wire is for Ground.

2.)



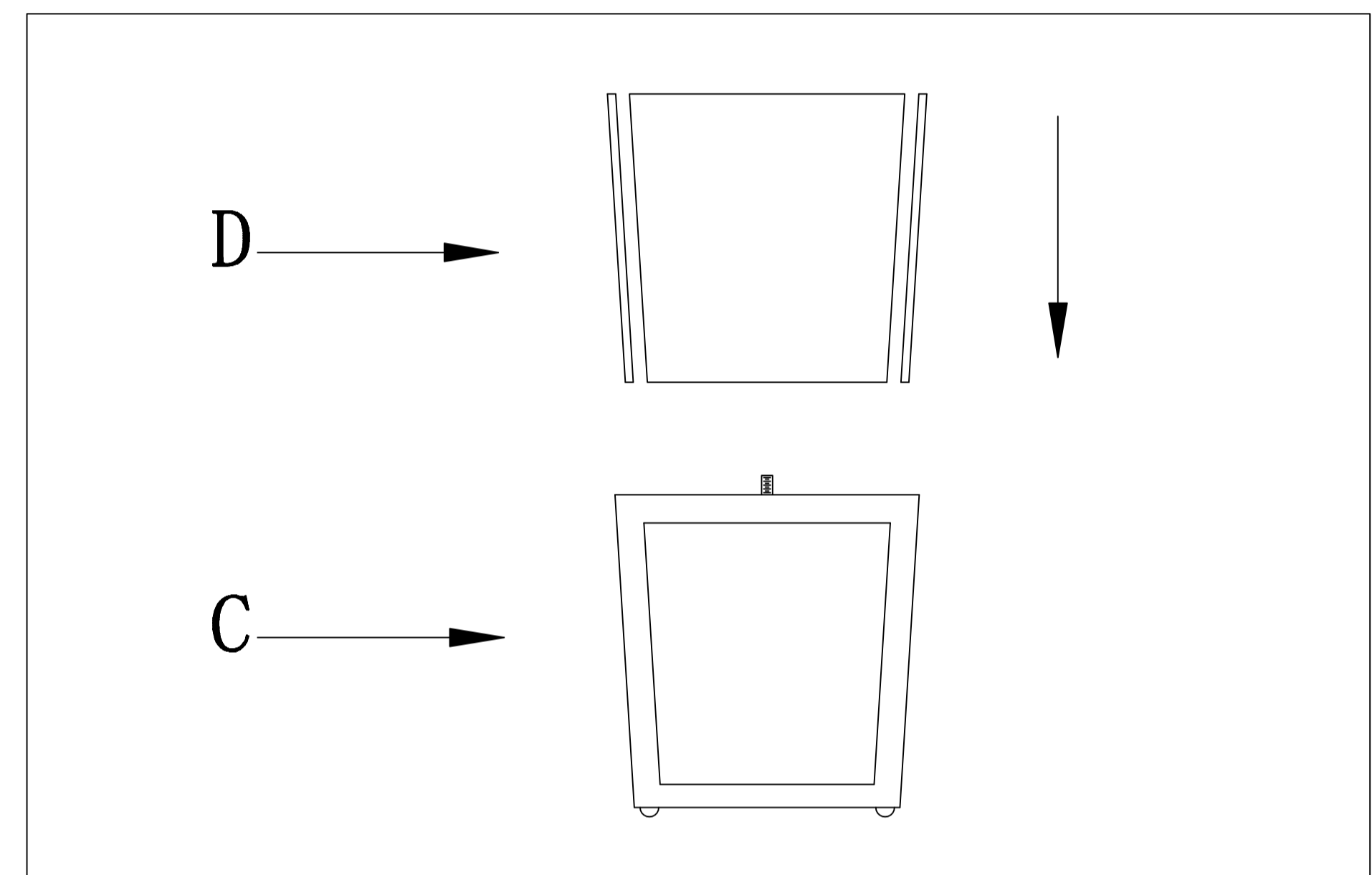
Step.2: Attach back plate to mounting bracket and tighten ball nuts so fixture meets wall. Caulk fixture where back plate meets the wall with silicone sealant.

3.)



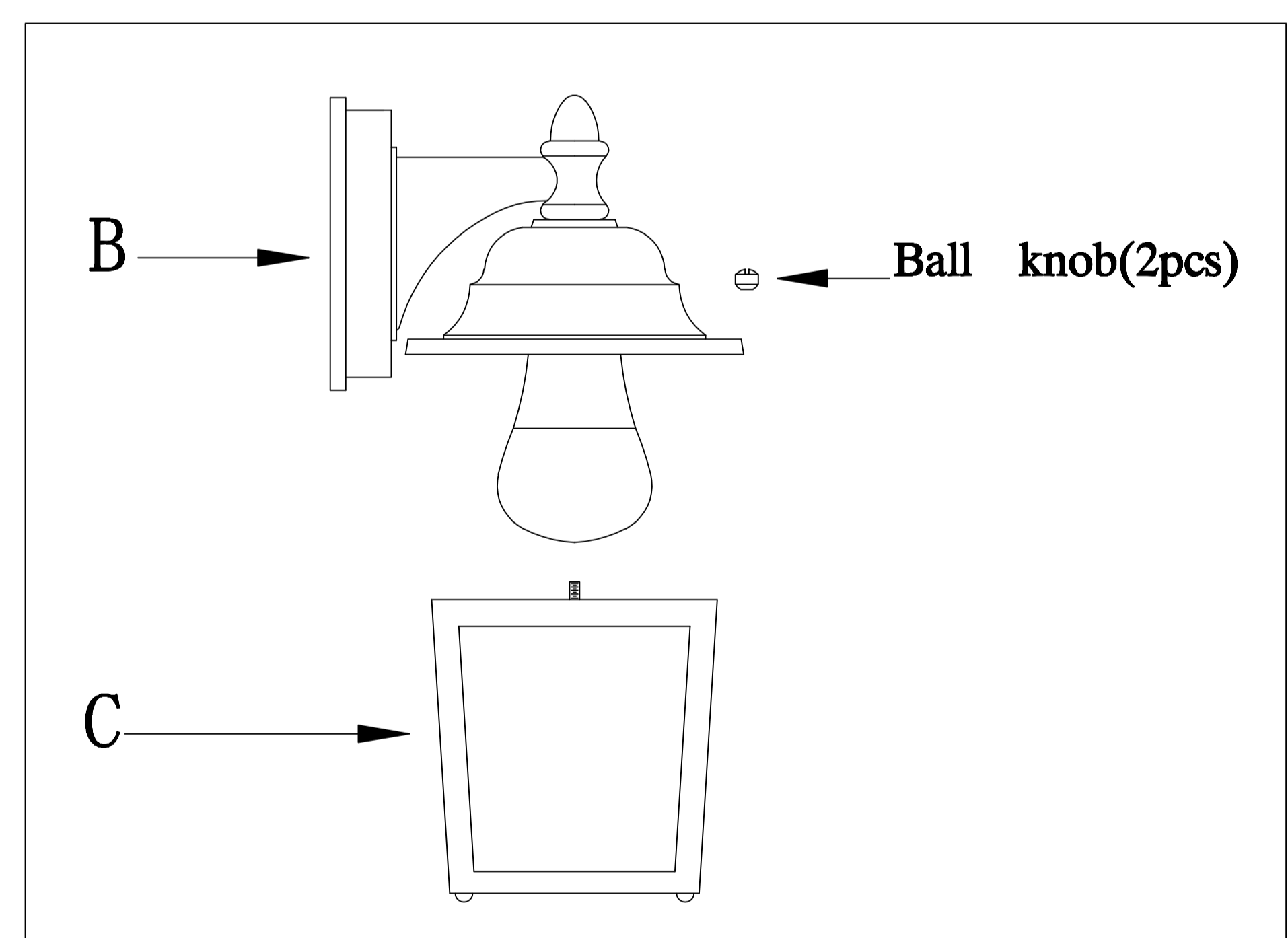
Step.3: Install GU24 LED bulb(E)

4.)



Step.4: Install the sheet glass(D) into the cage(C)

5.)



Step.5: Attach cage(C) to fixture , using ball knobs .

Cleaning & Care:

Clean with soft cloth and a mild detergent. Do not use abrasive cleaner.

MADE IN CHINA