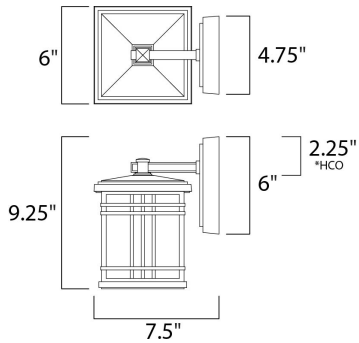




PRODUCT DESCRIPTION



*height from center of outlet to the top of the fixture

MEASUREMENTS

DIMENSION : 6." W x 9.25" H x 7.5" Ext
 BACK PLATE : 4.75" W x 6." H x 2.25" HCO
 HANGING WEIGHT : 3.08 lb

LAMPING

LUMENS : 800 Rated (0 Del.)
 BULB : 1 x 9W LED (INCLUDED), 9W Total

FINISHES OPTION

Earth Tone ET



GLASS

Frosted Seedy FS

MATERIAL

Die Cast Aluminum

RATINGS

Wet Location
 LED



ADDITIONAL

INSTALL UP/DOWN:
 OPERATING TEMPERATURE:
 -20°C (-4°F), 40°C (104°F)

Always consult a qualified electrician before installing any lighting product.



WESTERN DISTRIBUTION CENTER (HEADQUARTER)
 253 NORTH VINELAND AVE | CITY OF INDUSTRY, CA 91746

EASTERN DISTRIBUTION CENTER
 4200 SHIRLEY DR. | ATLANTA, GA 30336

P. 626.956.4200 | F. 626.956.4225 | maximlighting.com