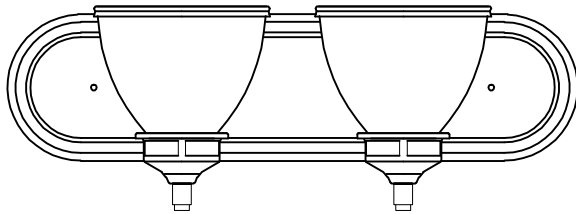




PRODUCT NAME: Novus 2 Light Wall Sconce
ITEM NUMBER: 21592

Please consult your electrician for hanging fixture and wiring.



2*E26*60W (NO INCLUDED BULB)

Locate all hardware & components before discarding packaging

Cleaning & Care:

Clean with soft cloth and a mild detergent.

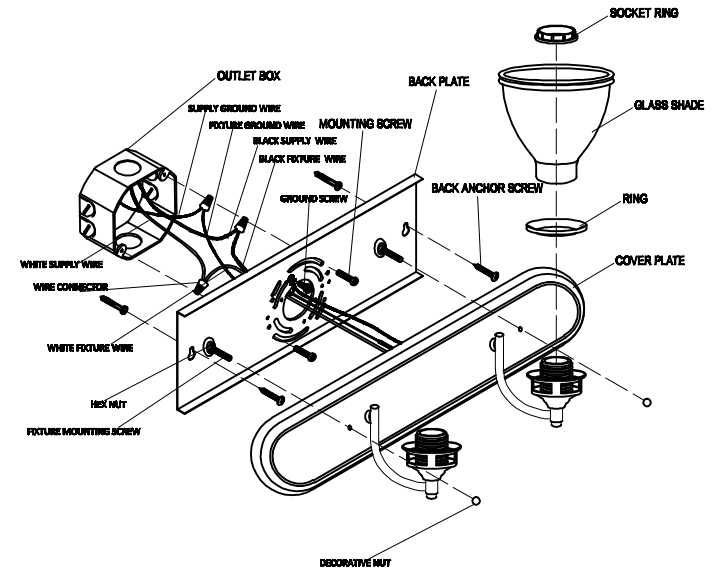
DO not use abrasive cleaner.



PRODUCT NAME: Novus 2 Light Wall Sconce
ITEM NUMBER: 21592

CAUTION: Turn off the main power at the circuit breaker before installing and servicing the fixture to prevent possible injury from electric shock.

All electrical connections must be in accordance with local and National Electrical Code (N.E.C.) standards. If you are unfamiliar with proper electrical wiring connections, obtain the services of a qualified electrician.



1. Remove MOUNTING BRACKET from fixture and install to OUTLET BOX using FIXTURE SCREWS. Perforated slots are to be knocked out according to the set that matches your OUTLET BOX.
2. Mark where screws at ends of bracket meet the wall. Remove mounting bracket from wall. Drill holes using 3/16"± drill bit where marked. Install mounting bracket to outlet box and attach anchors to secure bracket at ends.
3. Wire fixture to wires in outlet box. Bare wire is for Ground.
4. Attach back plate to MOUNTING BRACKET and tighten BALL NUTS so fixture meets wall.
5. Slide the GLASS over the socket and use RING spacer and SOCKET RING to secure.
6. Install bulbs to fixture according to fixture's max wattage rating label.