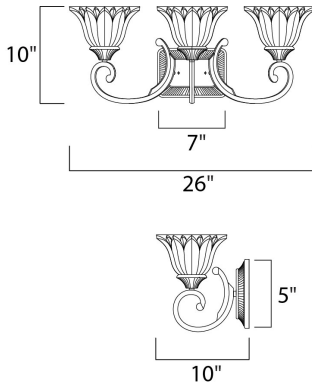




PRODUCT DESCRIPTION

Sculptured Wilshire glass shades adorn this metal frame painted in our Oil Rubbed Bronze finish make this competitively price family a sure fired winner.



MEASUREMENTS

DIMENSION : 26." W x 10." H x 10." Ext
 BACK PLATE : 7." W x 5." H
 HANGING WEIGHT : 8.06 lb

LAMPING

INPUT VOLTAGE : 120V
 LUMENS : 3,450 Rated (0 Del.)
 BULB : 3 x 60W (NOT INCLUDED), 180W Total
 DIMMABLE : Dimmable

FINISHES OPTION

Oil Rubbed Bronze Ol



GLASS

Wilshire WS

MATERIAL

Steel

RATINGS

Damp Location
 Dimmable



ADDITIONAL

INSTALL UP/DOWN: Up/Dn
 RATED LIFE 2500 Hours
 OPERATING TEMPERATURE:
 -20°C (-4°F), 40°C (104°F)

Always consult a qualified electrician before installing any lighting product.



WESTERN DISTRIBUTION CENTER (HEADQUARTER)
 253 NORTH VINELAND AVE | CITY OF INDUSTRY, CA 91746
EASTERN DISTRIBUTION CENTER
 4200 SHIRLEY DR. | ATLANTA, GA 30336
 P. 626.956.4200 | F. 626.956.4225 | maximlighting.com