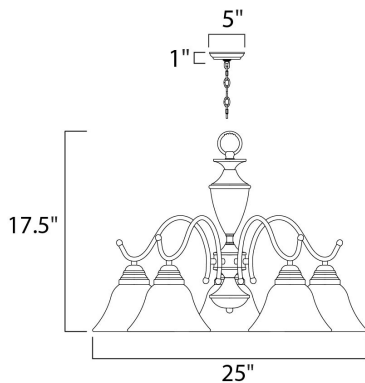


**PRODUCT DESCRIPTION**

Maxim Lighting's commitment to both the residential lighting and the home building industries will assure you a product line focused on your basic lighting needs. With the Newport collection you will find quality lighting that is well designed, well priced and readily available.

**MEASUREMENTS**

DIMENSION : 25." L x 25." W x 17.5" H  
HANGING WEIGHT : 10.23 lb

**LAMPING**

INPUT VOLTAGE : 120V  
LUMENS : 5,750 Rated (0 Del.)  
BULB : 5 x 60W (NOT INCLUDED), 300W Total  
DIMMABLE : Dimmable

**FINISHES OPTION**

Satin Nickel SN

**GLASS**

Marble MR

**MATERIAL**

Steel

**RATINGS**

cETLusDry Location  
Dimmable

**ADDITIONAL**

ADJUSTABLE  
INSTALL UP/DOWN:  
RATED LIFE 2500 Hours  
OPERATING TEMPERATURE:  
-20°C (-4°F), 40°C (104°F)

Always consult a qualified electrician before installing any lighting product.