

**PRODUCT DESCRIPTION**

Contemporary collection with sweeping arms and clean lines. Offered in Ice glass and Satin Nickel finish or Wilshire glass and Oil Rubbed Bronze finish.

**FINISHES OPTION**

Satin Nickel SN



**GLASS**

Ice IC

**MATERIAL**

Steel + Glass

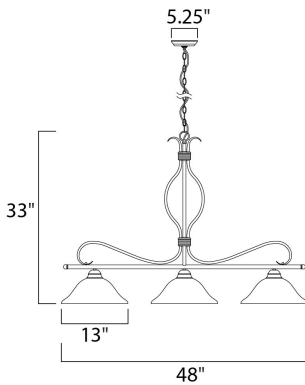
**RATINGS**

cETLusDry Location  
Dimmable



**ADDITIONAL**

ADJUSTABLE  
INSTALL UP/DOWN:  
RATED LIFE 2500 Hours  
OPERATING TEMPERATURE:  
-20°C (-4°F), 40°C (104°F)



**MEASUREMENTS**

DIMENSION : 48." L x 13." W x 33." H  
CANOPY : 5.25" W x 1.5" H x 5.25" L  
HANGING WEIGHT : 13.05 lb

**LAMPING**

INPUT VOLTAGE : 120V  
LUMENS : 3,450 Rated (0 Del.)  
BULB : 3 x 60W (NOT INCLUDED), 180W Total  
DIMMABLE : Dimmable

Always consult a qualified electrician before installing any lighting product.



**WESTERN DISTRIBUTION CENTER (HEADQUARTER)**  
253 NORTH VINELAND AVE | CITY OF INDUSTRY, CA 91746  
**EASTERN DISTRIBUTION CENTER**  
4200 SHIRLEY DR. | ATLANTA, GA 30336  
P. 626.956.4200 | F. 626.956.4225 | maximlighting.com