



KALCO
Handcrafted Since 1980

ASSEMBLY & INSTALLATION INSTRUCTIONS

MODEL: 504740

ESMERALDA 6 LIGHT 26 INCH CONVERTIBLE PENDANT / SEMI FLUSH MOUNT

I M A G E



If you have any questions or problems assembling your fixture please call us for assistance.

Customer Service: (702) 361-4345 or (800) 525-2655

customer.services@kalco.com

WARNING! TO REDUCE THE RISK OF FIRE OR INJURY PLEASE TAKE PRECAUTION AND FOLLOW THE STEPS BELOW.

1. If you are unfamiliar with electrical wiring, call a qualified electrician to install this unit. More than one person may be necessary to install fixture, make sure you have enough qualified help.
2. Turn off the power to the fixture's circuit at the service panel. Use a voltage detector to verify that the power is off.
3. DO NOT install bulb which exceeds the maximum wattage specified on the socket label.

Si vous avez des questions ou des problèmes assemblage de votre dispositif s'il vous plaît appel pour l'assistance.

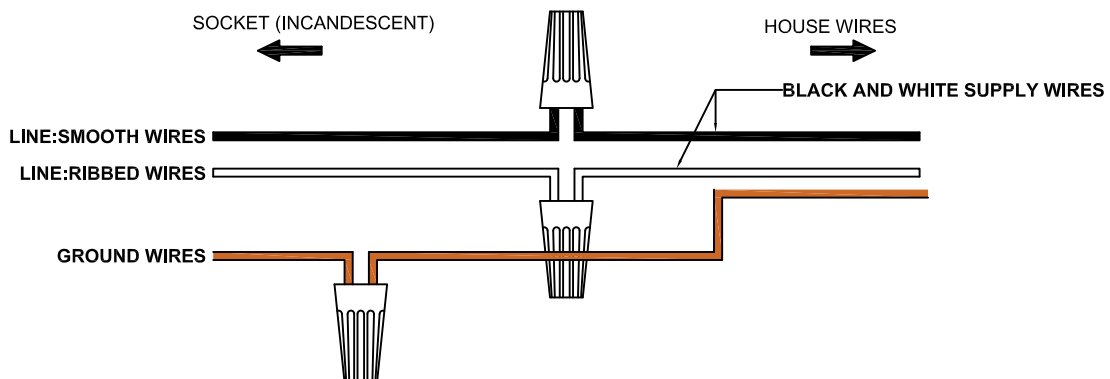
Customer Service: (702) 361-4345 or (800) 525-2655

customer.services@kalco.com

AVERTISSEMENT! POUR RÉDUIRE LES RISQUES D'INCENDIE OU DE BLESSURES S'IL VOUS PLAÎT PRENDRE DES PRÉCAUTIONS ET SUIVEZ LES ÉTAPES CI-DESSOUS.

1. Si vous n'êtes pas familier avec le câblage électrique, appelez un électricien qualifié pour installer cet appareil. Plus d'une personne peut être nécessaire d'installer appareil, assurez vous que vous disposez de l'aide assez qualifié.
2. Coupez l'alimentation au circuit de l'appareil sur le tableau de service. Utiliser un détecteur de tension pour vérifier que l'alimentation est coupée
3. NE PAS installer l'ampoule qui excède la puissance maximale indiquée sur l'étiquette du socket.

WIRING DIAGRAM





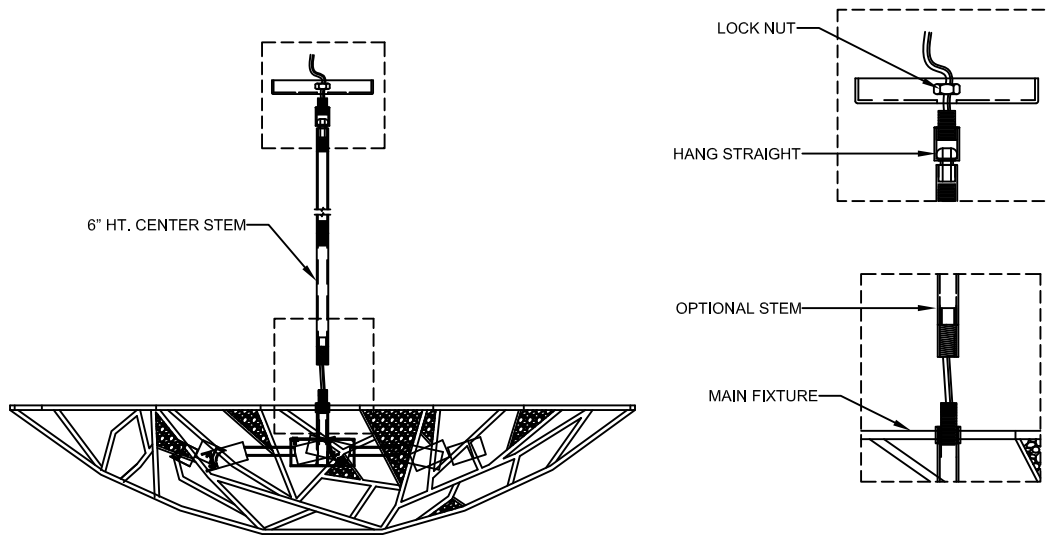
KALCO.
Handcrafted Since 1980

ASSEMBLY & INSTALLATION INSTRUCTIONS

MODEL: 504740

ESMERALDA 6 LIGHT 26 INCH CONVERTIBLE PENDANT / SEMI FLUSH MOUNT

KNOCK DOWN ASSEMBLY



STEP 1: Remove the two optional stem (12"ht. And 24" ht),and stay the 6"ht stem and hang straight for semi flush. From 6" center stem carefully insert the wire in the hang straight up to the canopy. Attach the hang straight to the canopy secure with lock nut and in the main fixture as shown.

FOR LIGHTING MAINTENANCE:

- **Regular cleaning of fixture with proper and gentle care using a soft duster, soft lint-free or damp cloth is recommended.**
- **Refrain from using harsh cleaning liquids that may cause chemical reaction on the hand painted finishes.**
- **Always refer to the Assembly Instruction before removing any components.**
- **HANDLE WITH CARE.**



KALCO.
Handcrafted Since 1980

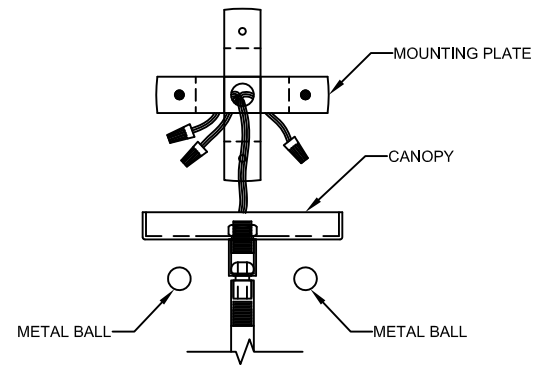
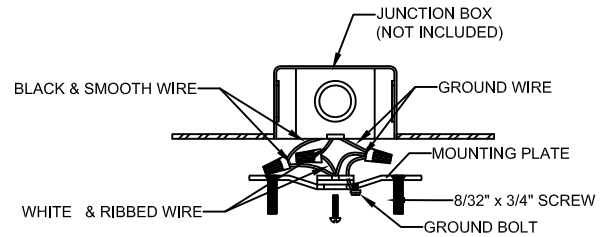
ASSEMBLY & INSTALLATION INSTRUCTIONS

MODEL: 504740

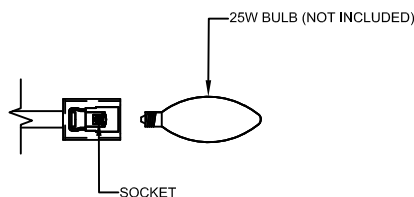
ESMERALDA 6 LIGHT 26 INCH CONVERTIBLE PENDANT / SEMI FLUSH MOUNT

ELECTRICAL / MOUNTING INSTALLATION

- STEP 2:** Attach mounting plate to outlet box with the screws provided.
- STEP 3:** Refer to wiring diagram. With wire carefully threaded thru canopy, connect the black supply wire to the smooth fixture wire with wire connector, connect the white supply wire to the ribbed fixture wire with wire connector. Connect ground wire from fixture with supply ground wire.
- STEP 4:** Carefully tuck all wires into outlet box ensuring that there are no wires pinched between the canopy and ceiling.
- STEP 5:** Attach canopy to the studs using the metal ball nuts provided.



COMPONENT ASSEMBLY



- STEP 6:** Install bulb, do not use bulbs that exceed 25Watts.








KALCO
Handcrafted Since 1980

ASSEMBLY & INSTALLATION INSTRUCTIONS

MODEL: 504740

ESMERALDA 6 LIGHT 26 INCH CONVERTIBLE PENDANT / SEMI FLUSH MOUNT

PARTS LIST

IMAGE	PARTS NAME	QTY
	Customized parts bag	1 PC
	Metal Ball	2 PCS
	Optional Stem (6", 12" & 24")	1 PC / Each
	Hang Straight	1 PC
	Canopy	1 PC