

CAFE 16" PENDANT LIGHT

PEB108



FEATURES + BENEFITS

- Metal RLM shades are spun from heavy duty aluminum.
- Polyester powder coat finish provides color retention and scratch resistance.
- White powder coat shade interior for maximum light output.
- Painted Galvanized finish has Painted Galvanized shade interior.
- Dimmable with a dimmable bulb and compatible dimmer (not included).
- 6ft Black SJT cord standard.
- UL Listed for Dry Location.
- Warranty: Limited 1 Year.
- Made in USA.

SPECIFICATIONS

Product Dimensions:

Width 16", Shade Height 10", Overall Height 82", Canopy Dia. 5 3/8"

Lamping:

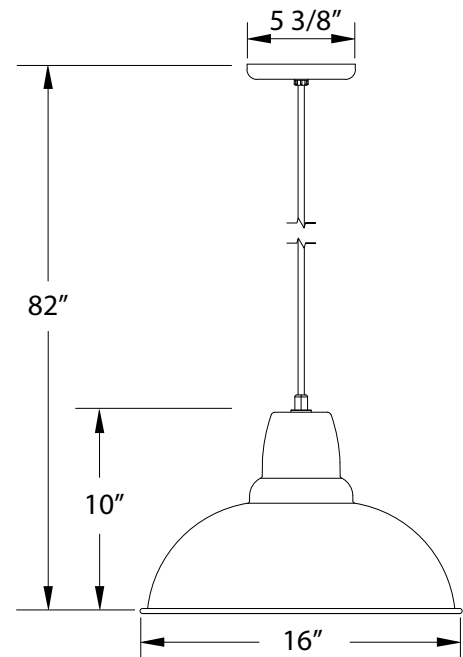
100W Medium Base per socket

Options:

- Finish: 40-Slate Gray, 41-Black, 42-Forest Green, 44-White Gloss, 48-Sea Green, 49-Painted Galvanized, 50-Navy, 51-Architectural Bronze, 54-Light Blue, 55-Barn Red
- Cord: C21-White SJT, C01-Brown and Ivory Houndstooth Fabric, C02-Black Fabric, C04-Black and White Houndstooth Fabric, C12-Gray Fabric, C16-Navy Mini Tweed, C20-White Fabric, C22-White and Gray Dot Fabric, C23-Red & White Zig-Zag Fabric, C24-Cool Tweed, C25-Polished Copper, C26-Ivory, C27-Neutral Argyle
- Integrated LED: L13-15W, 1250 Lumen, 95CRI, Adjustable CCT.
- Other Accessories: G05-Clear Weathertight Glass and Guard, W16-Wire Grill

Shipping:

At Montclair Light Works we proudly manufacture, assemble, and ship your lamp within 3 weeks from our factory in Montclair CA.



JOB/LOCATION

QUANTITY

DATE

NOTES