



NEST 3-LIGHT STEM HUNG PENDANT LIGHT

MSN445-L12

FEATURES + BENEFITS



- Metal RLM shades are spun from heavy duty aluminum.
- Polyester powder coat finish provides color retention and scratch resistance.
- White powder coat shade interior for maximum light output.
- Hang-straight swivel at canopy included.
- Adjustable height up to 48"; 1-6", 2-12", 1-18" stem lengths included.
- UL Listed for Dry Location.
- Warranty: Fixture, Limited 1 Year. LED, Limited 5 year
- Made in USA.

SPECIFICATIONS

Product Dimensions:

Width 10", Shade Height 5", Length 58", Overall Height 55.75", Canopy 5" diameter

Lamping:

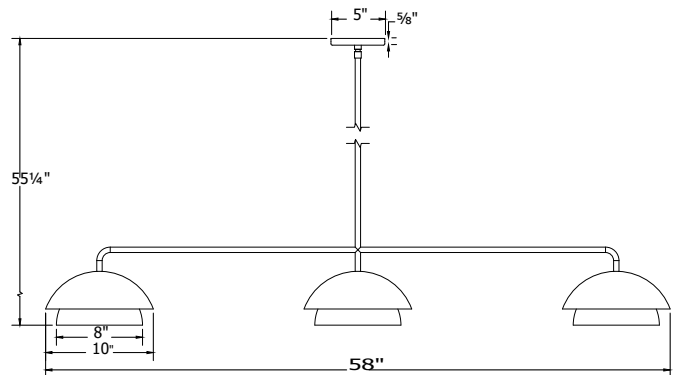
Three 10W, 775 lumen, 95CRI, CCT Adjustable LED, integrated.

Finish Options:

- 16-Cream, 17-Ivory, 19-Terracotta, 20-Mauve, 21-Bright Yellow, 22-Fern Green, 40-Slate Gray, 41-Black, 42-Forest Green, 44-White Gloss, 48-Sea Green, 50-Navy, 51-Architectural Bronze, 54-Light Blue, 55-Barn Red

Shipping:

At Montclair Light Works we proudly manufacture, assemble, and ship your lamp within 3 weeks from our factory in Montclair CA.



JOB/LOCATION

QUANTITY

DATE

NOTES